

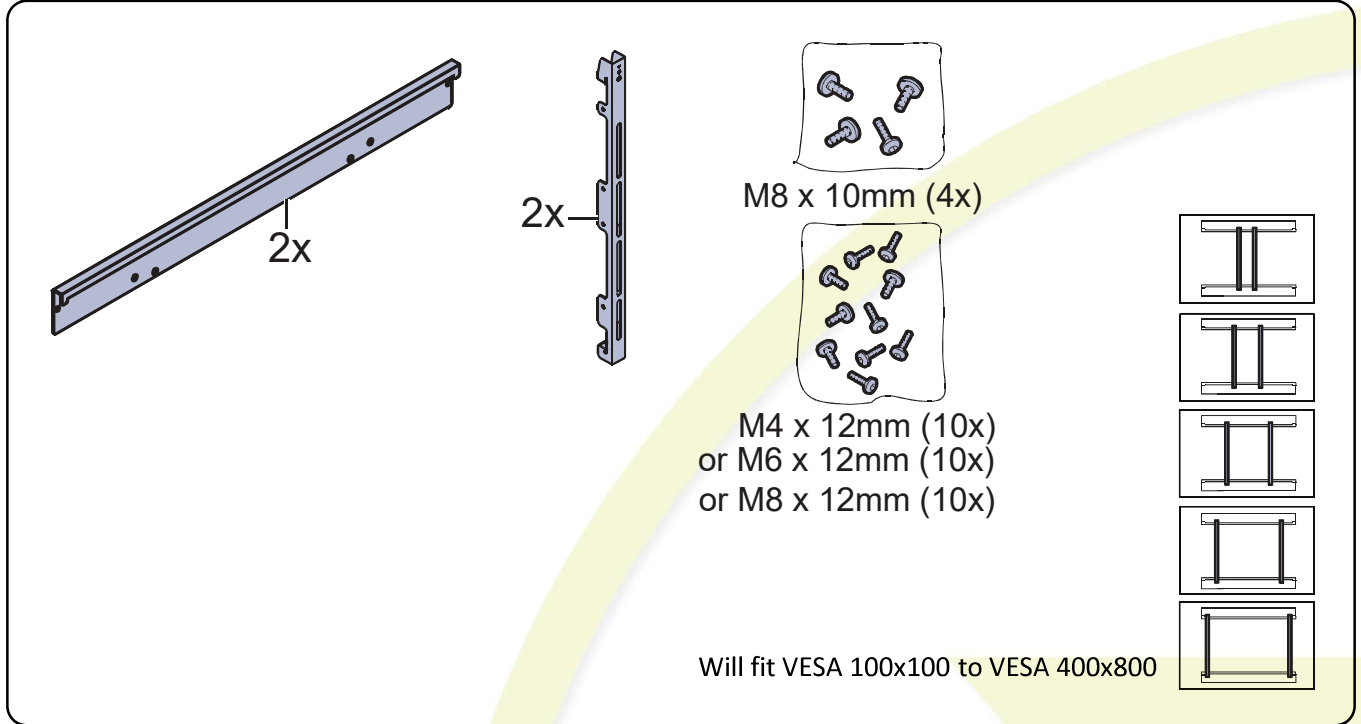
**Installation manual**

Part nr. 902823-01

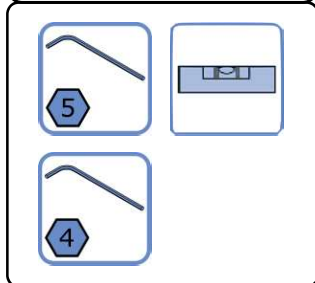
# Flatscreen / VESA Interface

For the BalanceBox®400

## The contents of the box



## Tools needed

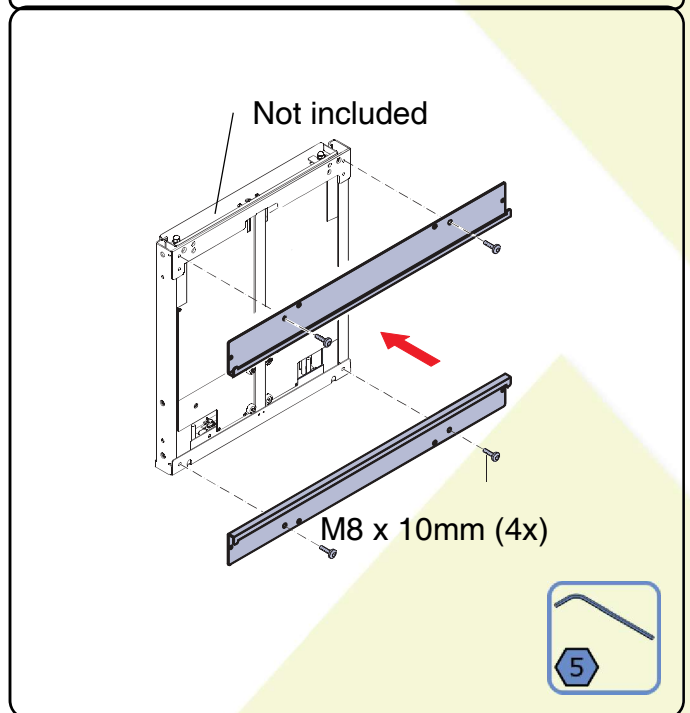


## Safety Instructions



1

## Assemble (● 5 mm)



2

**2** Assemble (● 5 mm)

M4 x 12mm (10x) or  
M6 x 12mm (10x) or  
M8 x 12mm (10x)

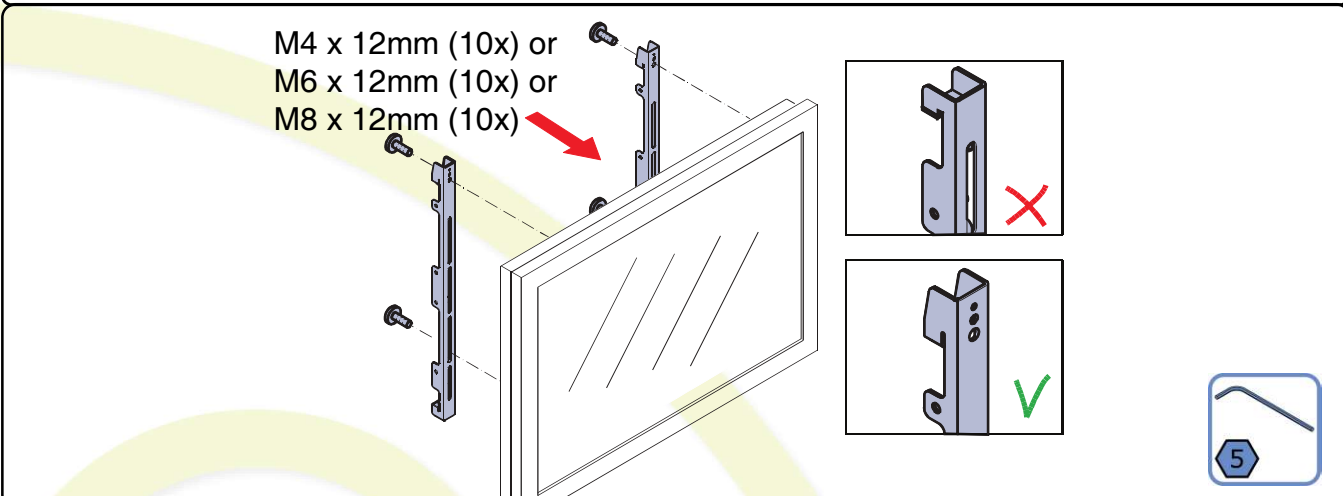


Diagram illustrating the assembly of the VESA interface. The monitor is shown being attached to the vertical bracket. The text specifies the required screw sizes: M4 x 12mm (10x), M6 x 12mm (10x), or M8 x 12mm (10x). A red arrow points to the screws being inserted. Two inset diagrams show the correct (green checkmark) and incorrect (red X) way to align the bracket. A hex key icon with the number 5 is shown in the bottom right corner.

**3** Hang the monitor on the horizontal bracket

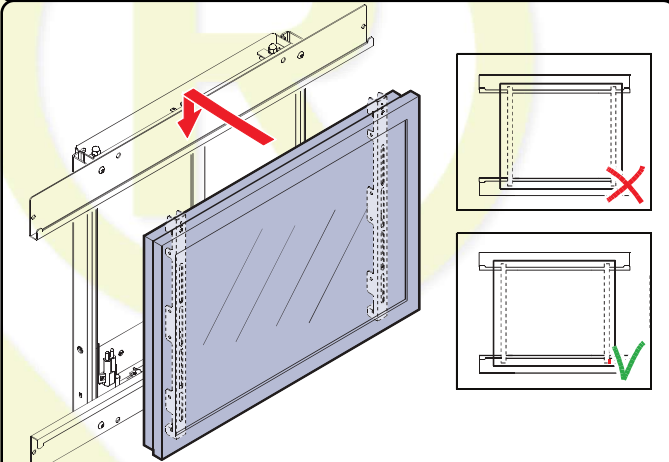


Diagram illustrating the step to hang the monitor on the horizontal bracket. The monitor is shown being lowered into the bracket. Two inset diagrams show the correct (green checkmark) and incorrect (red X) way to align the monitor. A red arrow indicates the direction of movement.

**4** Level the monitor

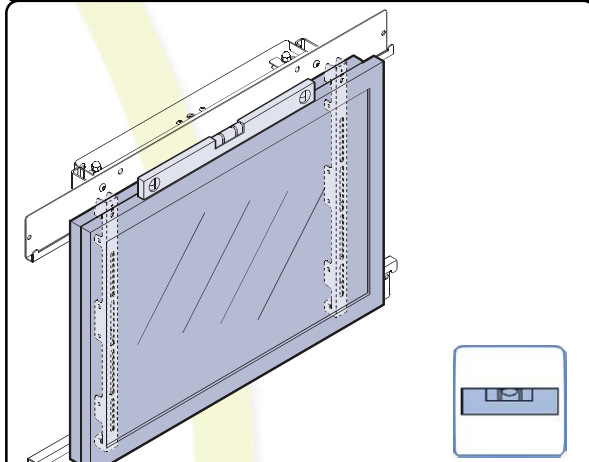


Diagram illustrating the step to level the monitor. The monitor is shown mounted on the horizontal bracket. A spirit level is placed on top of the monitor to ensure it is level.

**5** Lock monitor with safety lock screws from the bottom

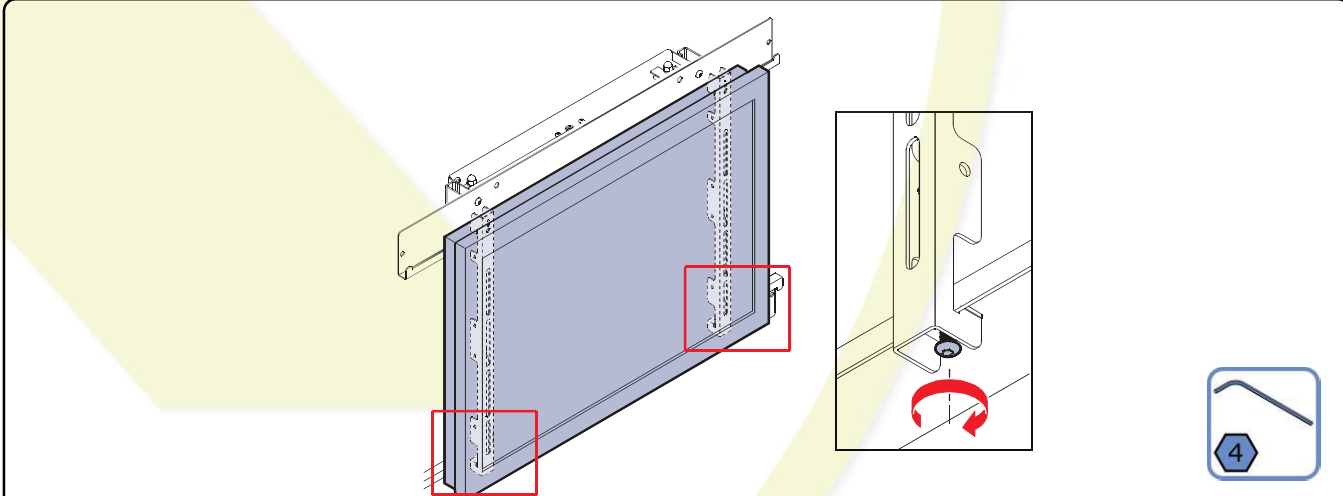


Diagram illustrating the step to lock the monitor with safety lock screws from the bottom. The monitor is shown mounted on the horizontal bracket. Two red boxes highlight the bottom corners. An inset diagram shows a close-up of the bottom corner with a red arrow indicating the direction to turn the safety lock screw.

